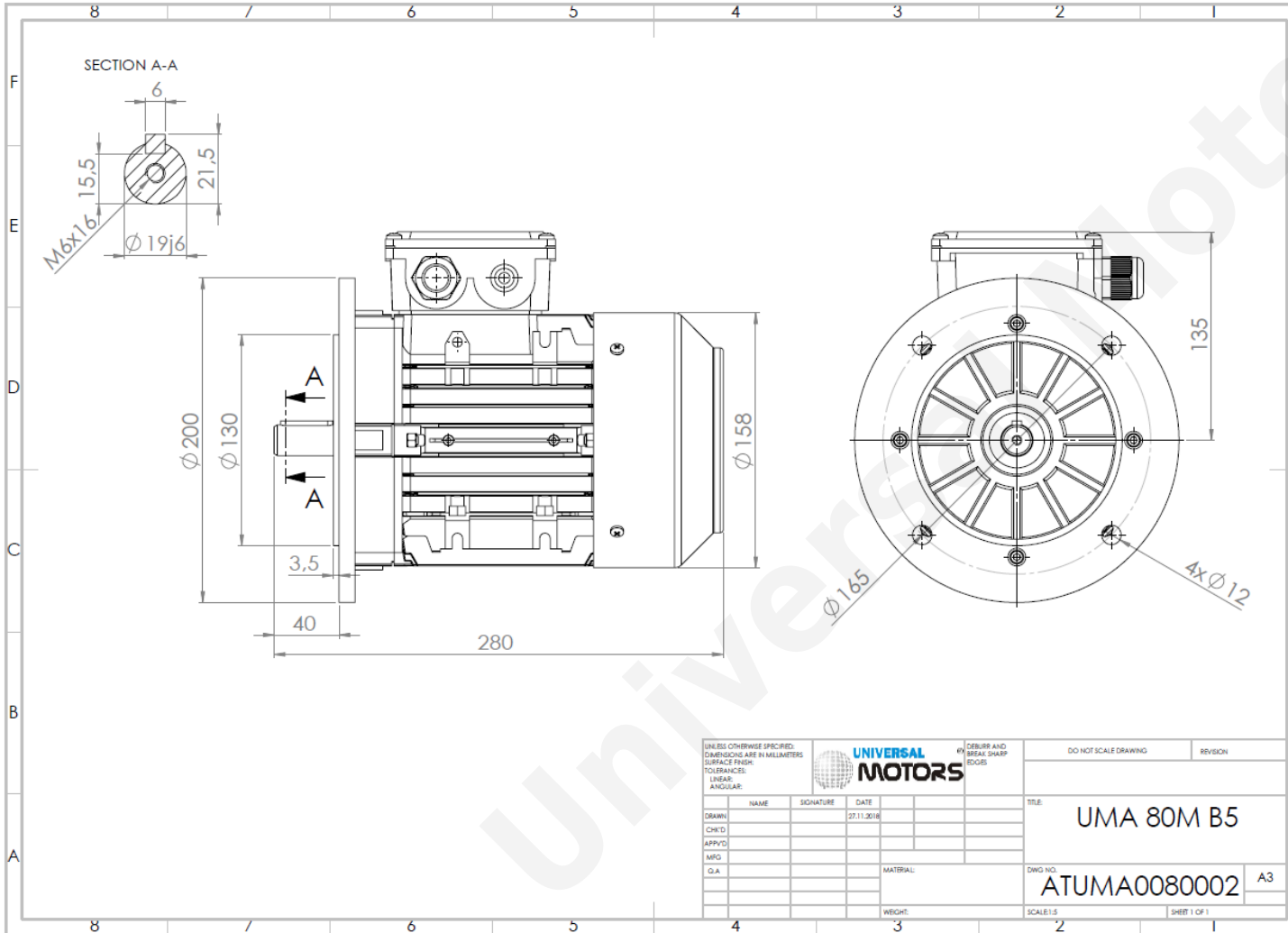




TECHNICAL DATA

Three Phase Electric Motors - Aluminum Frame
 UM2A 80M1-6
 0.37 kW / 0.50 Cv
 935 RPM



Motor type:	UM2A 80M1-6
Output:	0.37 kW / 0.50 Cv
Speed (min ⁻¹):	935 RPM
Frequency:	50 Hz
Voltage:	400 V
Current:	1.20 A
Power factor (Cos Ø):	0.66
Poles:	6
Insulation class:	F
Temperature rise Class:	B
Efficiency 50%:	59.6 %
Efficiency 75%:	63.8 %
Efficiency 100%:	67.6 %
Torque:	3.85 N.m
Tstarting/Tnominal:	1.9
Istarting/Inominal:	3.8
Tmaximum/Tnominal:	2.2
Noise:	56 Db(A)
Weight:	8.9 Kg
Brake AC:	AC3
Torque Brake DC:	8 N.m
Bearing DE:	6204 2Z
Bearing NDE:	6204 2Z
Torque Brake AC:	15 N.m
Brake DC:	REB-05-08

UNLESS OTHERWISE SPECIFIED: DIMENSIONS ARE IN MILLIMETERS SURFACE FINISH: TOLERANCES: LINEAR: ANGULAR:				UNIVERSAL MOTORS		DO NOT SCALE DRAWING		REVISION	
DRAWN	NAME	SIGNATURE	DATE	TITLE: UMA 80M B5		DWG NO. ATUMA0080002		A3	
CHK'D			07.11.2018						
APP'VD									
MFG									
Q.A.									
MATERIAL:				SCALE: 1:1		SHEET 1 OF 1			
WEIGHT:									

Regime - S1

Altitude - 1000m

Environment Temperature - 40°C

CONTACTS:

UNIVERSAL MOTORS Tel: +351 252 299 080
 Rua de São Brás,745 Fax: +351 252 299 089
 4480-782 VILA DO CONDE Mail: geral@universalmotors.pt

* References applied only in the UK